



1+



10



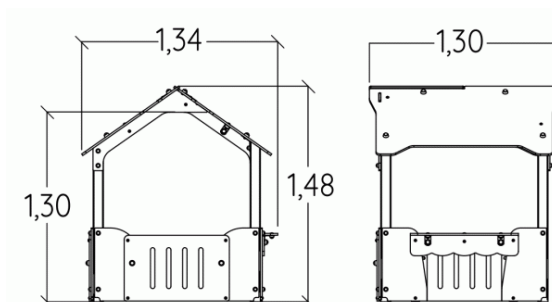
0,6m



1 = 1,34m  
2 = 1,3m  
3 = 1,48m



Motor inclusion  
Sensory inclusion  
Mental inclusion



Play value : 4



role play

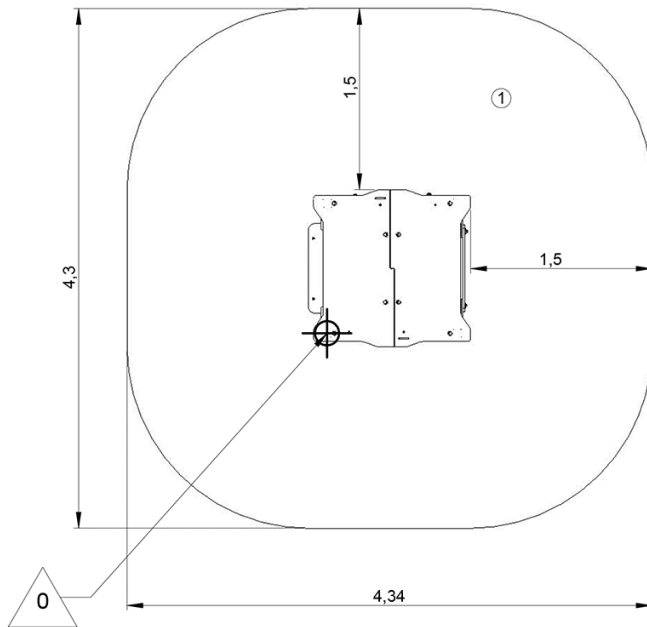




x4

## Installation of equipment

**IMPORTANT:** It is essential to refer to the installation instructions for information on the size of the safety areas.

-  Impact area (minimum normative surface)
-  Free space



		
1	<0,6m	17m <sup>2</sup>



2



02h00



0.12m<sup>3</sup>



17m<sup>2</sup>



110kg



15kg

